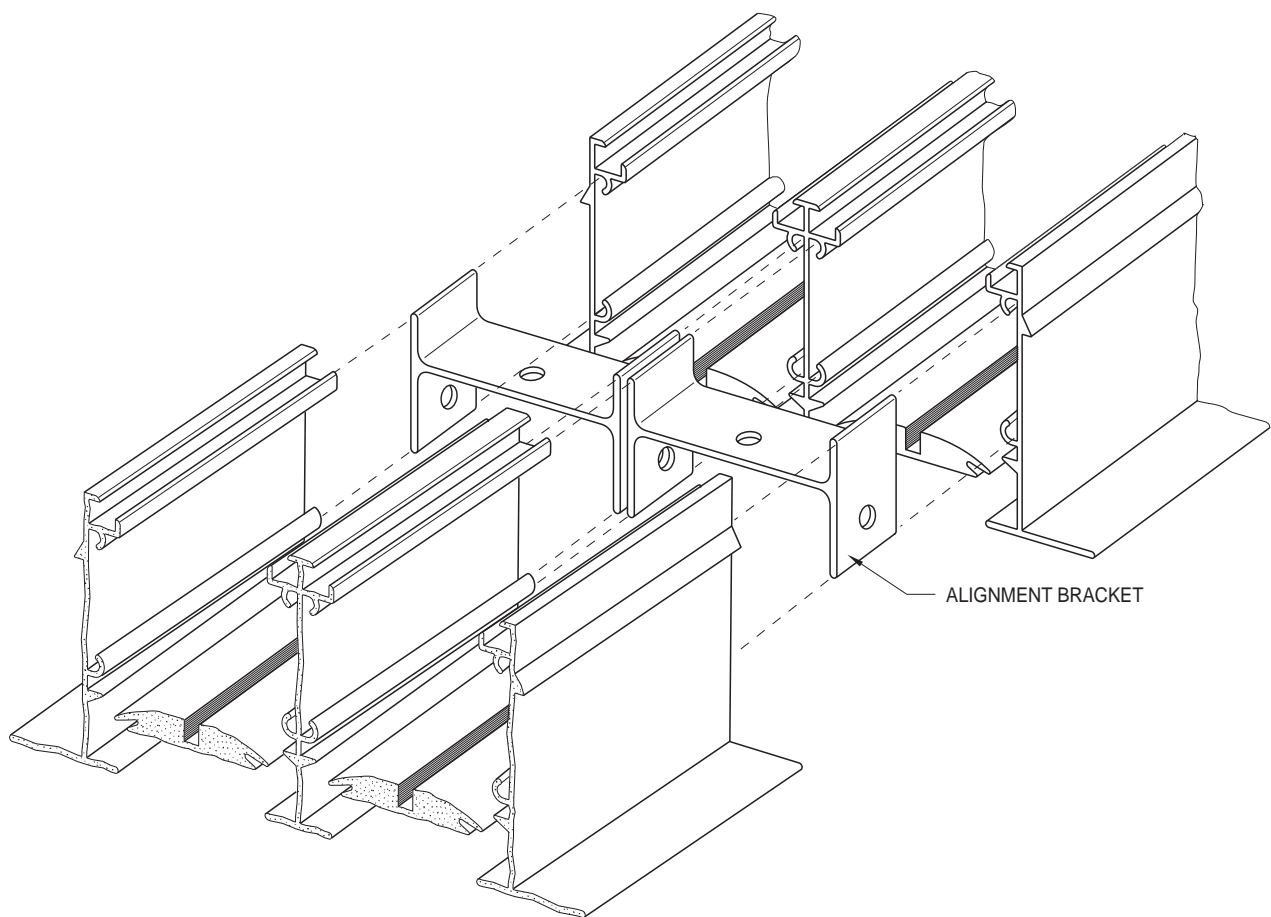


CONTINUOUS SLOT MULTIPLE SECTION ALIGNMENT DETAILS

3/4", 1", 1-1/2", 2" SLOTS



- Solid alignment bracket for rigidity and strength.
- Alignment brackets will be placed in the tracks of the extrusion and will join two sections of linear.