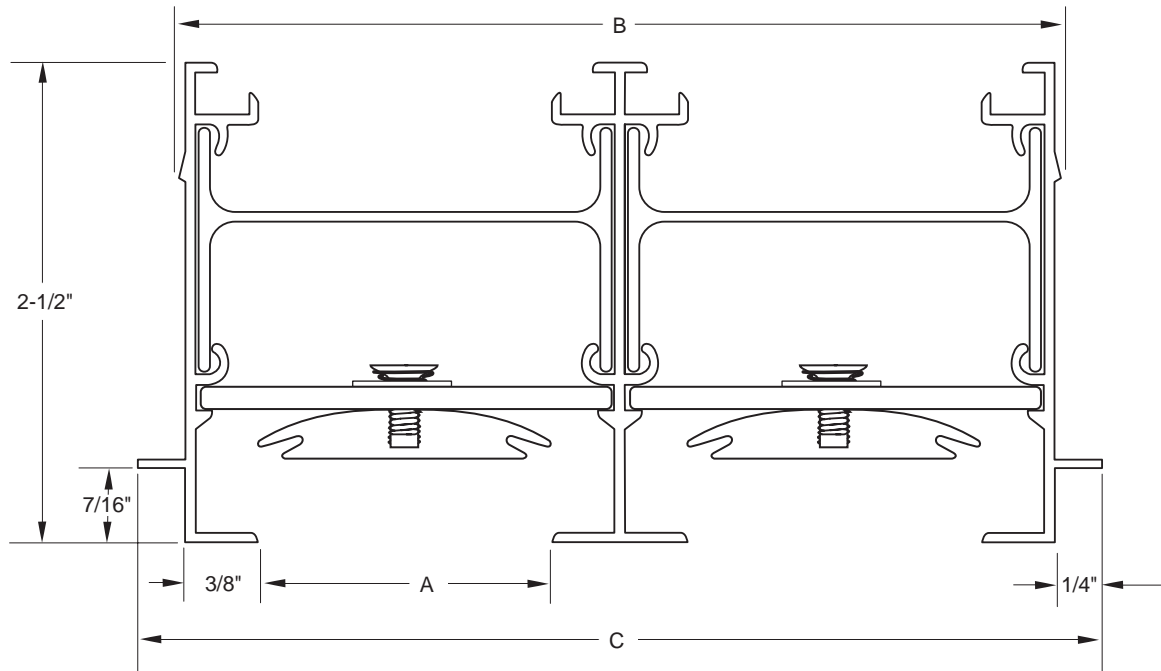


# DIMENSIONAL DATA 1-1/2 INCHES - CS FRAME

FOR CONCEALED SPLINE AND FINELINE CEILINGS



MODEL	SLOT	A	B	C
201-150 CS	1	1-1/2	2-5/16	2-3/4
202-150 CS	2	1-1/2	4-1/2	4-15/16
203-150 CS	3	1-1/2	6-11/16	7-1/8
204-150 CS	4	1-1/2	8-7/8	9-5/16
205-150 CS	5	1-1/2	11-1/16	11-1/2
206-150 CS	6	1-1/2	13-1/4	13-11/16
207-150 CS	7	1-1/2	15-7/16	15-7/8
208-150 CS	8	1-1/2	17-5/8	18-1/16

(Dimensions in inches)

**Note:**

- 1) See plenum details for various applications.
- 2) Diffuser neck supplied 1/4" undersize in overall length for concealed spline.
- 3) Diffuser neck supplied 9/16" undersize in overall length for fineline ceilings.
- 4) Greater number of slots are available.
- 5) Normally supplied with butt style end caps.