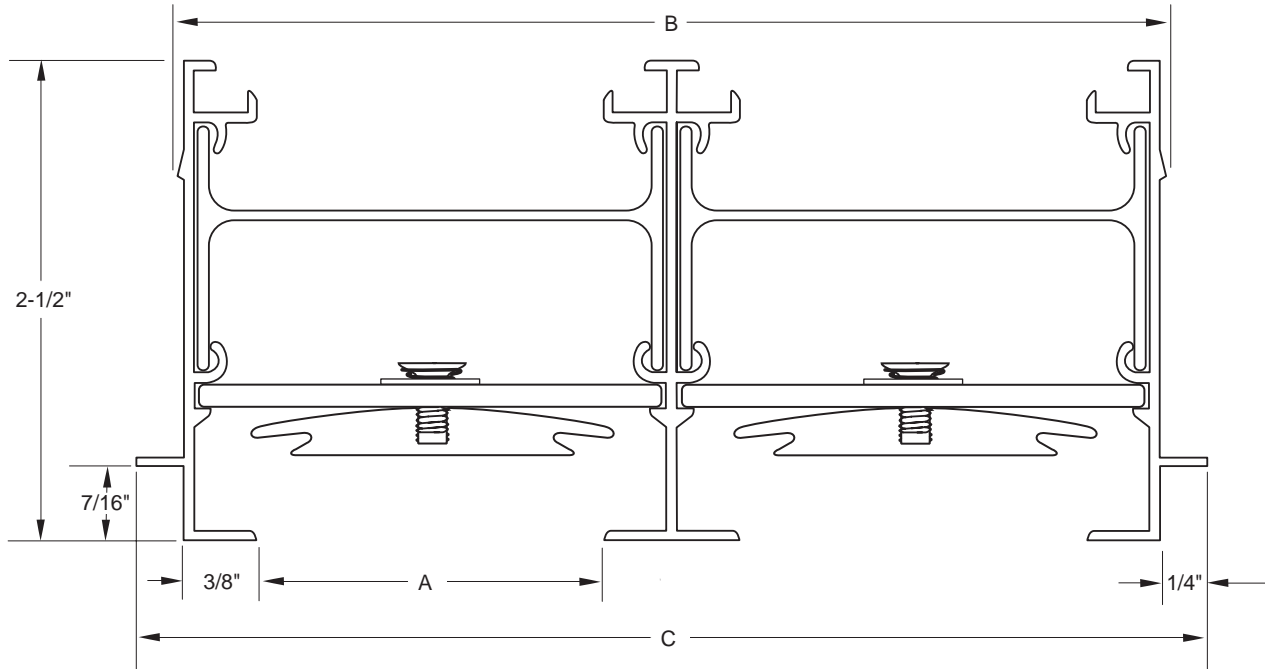


DIMENSIONAL DATA 2 INCHES - CS FRAME

FOR CONCEALED SPLINE AND FINELINE CEILINGS



MODEL	SLOT	A	B	C
201-200 CS	1	2	2-13/16	3-1/4
202-200 CS	2	2	5-1/2	5-15/16
203-200 CS	3	2	8-3/16	8-5/8
204-200 CS	4	2	10-7/8	11-5/16
205-200 CS	5	2	13-9/16	14
206-200 CS	6	2	16-1/4	16-11/16
207-200 CS	7	2	18-15/16	19-3/8
208-200 CS	8	2	21-5/8	22-1/16

(Dimensions in inches)

Note:

- 1) See plenum details for various applications.
- 2) Diffuser neck supplied 1/4" undersize in overall length for concealed spline.
- 3) Diffuser neck supplied 9/16" undersize in overall length for fineline ceilings.
- 4) Greater number of slots are available.
- 5) Normally supplied with butt style end caps.