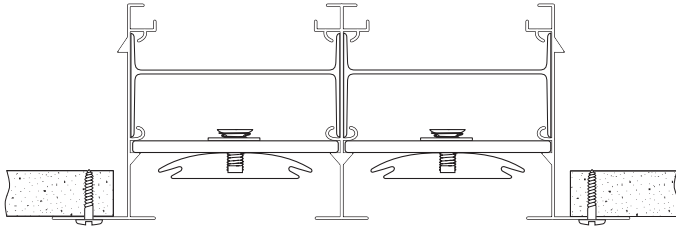


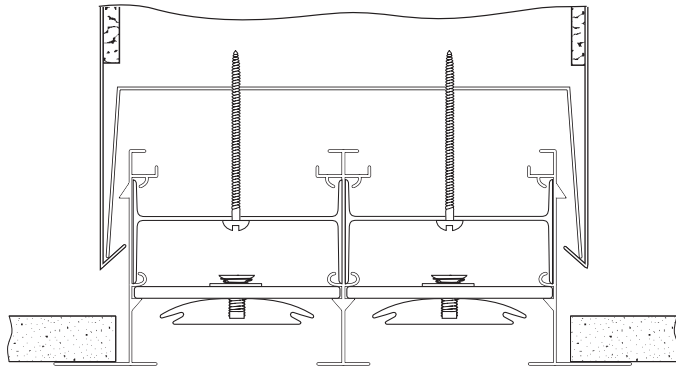
LINEAR CEILING APPLICATION



LINEAR CEILING APPLICATION

**“LT” FRAME (LTSS)
SURFACE MOUNT**

(Screw Holes)

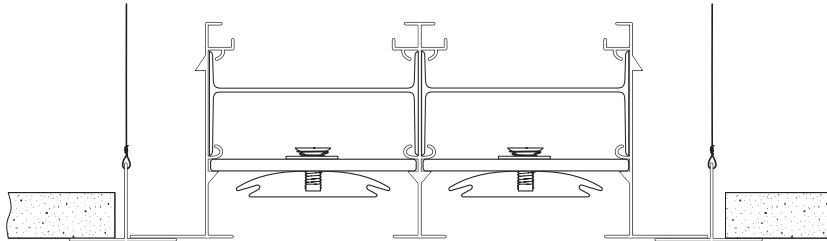


LINEAR CEILING APPLICATION

**“LT” FRAME (LTSC)
SURFACE MOUNT**

(Concealed Mounting)

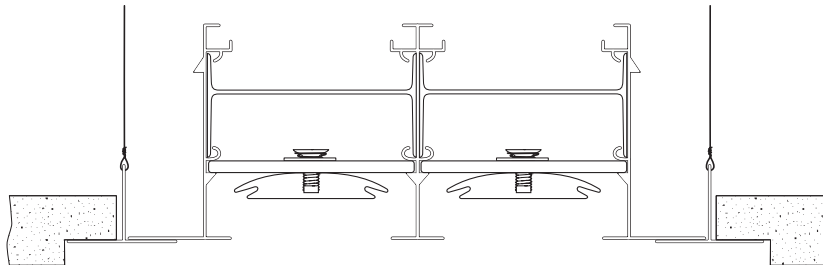
FOR USE WITH HEMMED PLENUMS OR FITTINGS



LINEAR CEILING APPLICATION

**“LT” FRAME (LTTB)
T-BAR (LAY-IN)**

(Concealed Mounting)



LINEAR CEILING APPLICATION

**“LT” FRAME (LTTB)
TEGULAR**

(Concealed Mounting)