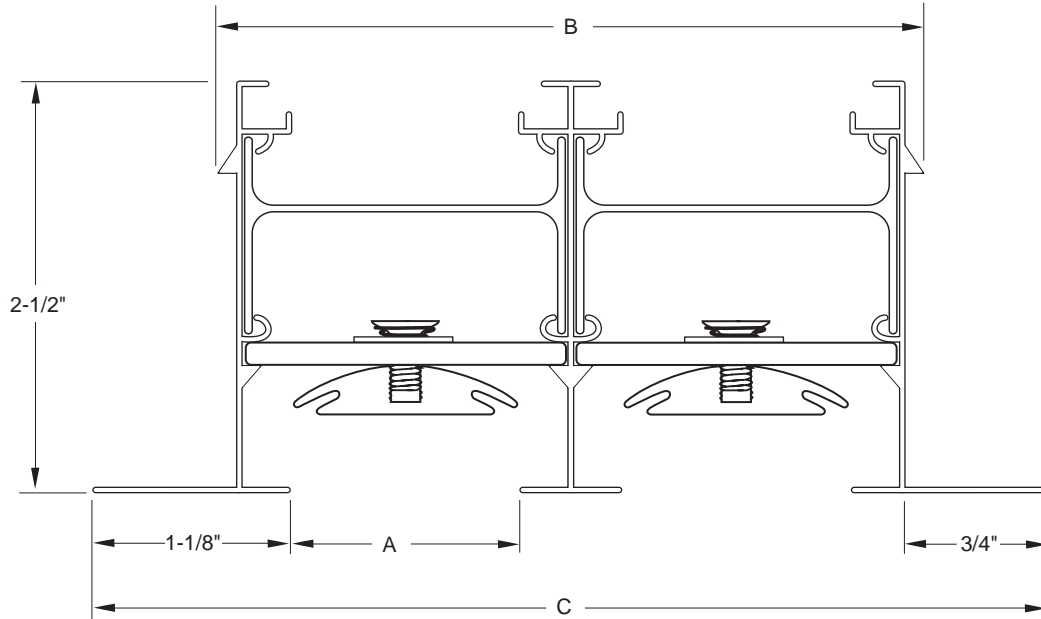


# DIMENSIONAL DATA 1 INCHES - LTSC FRAME

FOR CONCEALED MOUNTING WITH HEMMED PLENUM



MODEL	SLOT	A	B	C
201-100 LTSC	1	1	1-15/16	3-1/4
202-100 LTSC	2	1	3-5/8	4-15/16
203-100 LTSC	3	1	5-5/16	6-5/8
204-100 LTSC	4	1	7	8-5/16
205-100 LTSC	5	1	8-11/16	10
206-100 LTSC	6	1	10-3/8	11-11/16
207-100 LTSC	7	1	12-1/16	13-3/8
208-100 LTSC	8	1	13-3/4	15-1/16

(Dimensions in inches)

**Note:**

- 1) See plenum details for various applications.
- 2) Diffuser neck supplied 1/4" undersize in overall length.
- 3) Sidewall application will be the same dimensionally.
- 4) Greater number of slots are available.
- 5) End caps (FC) add 2" to nominal length.