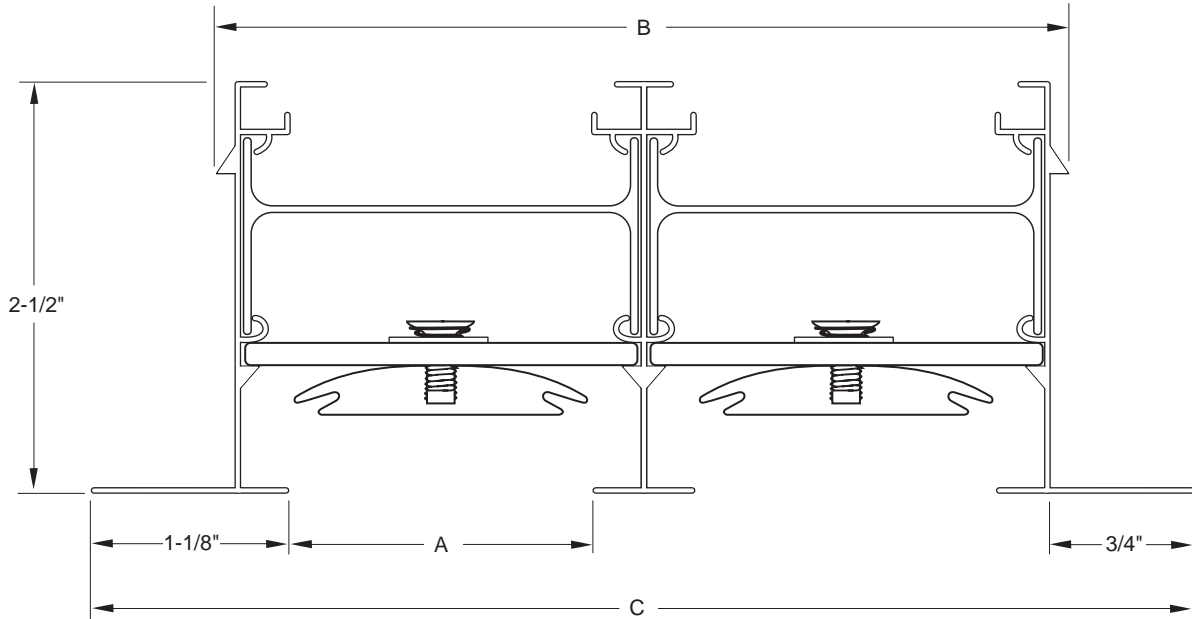


DIMENSIONAL DATA 1-1/2 INCHES - LTSC FRAME

FOR CONCEALED MOUNTING WITH HEMMED PLENUM



MODEL	SLOT	A	B	C
201-150 LTSC	1	1-1/2	2-7/16	3-3/4
202-150 LTSC	2	1-1/2	4-5/8	5-15/16
203-150 LTSC	3	1-1/2	6-13/16	8-1/8
204-150 LTSC	4	1-1/2	9	10-5/16
205-150 LTSC	5	1-1/2	11-3/16	12-1/2
206-150 LTSC	6	1-1/2	13-3/8	14-11/16
207-150 LTSC	7	1-1/2	15-9/16	16-7/8
208-150 LTSC	8	1-1/2	17-3/4	19-1/16

(Dimensions in inches)

Note:

- 1) See plenum details for various applications.
- 2) Diffuser neck supplied 1/4" undersize in overall length.
- 3) Sidewall application will be the same dimensionally.
- 4) Greater number of slots are available.
- 5) End caps (FC) add 2" to nominal length.