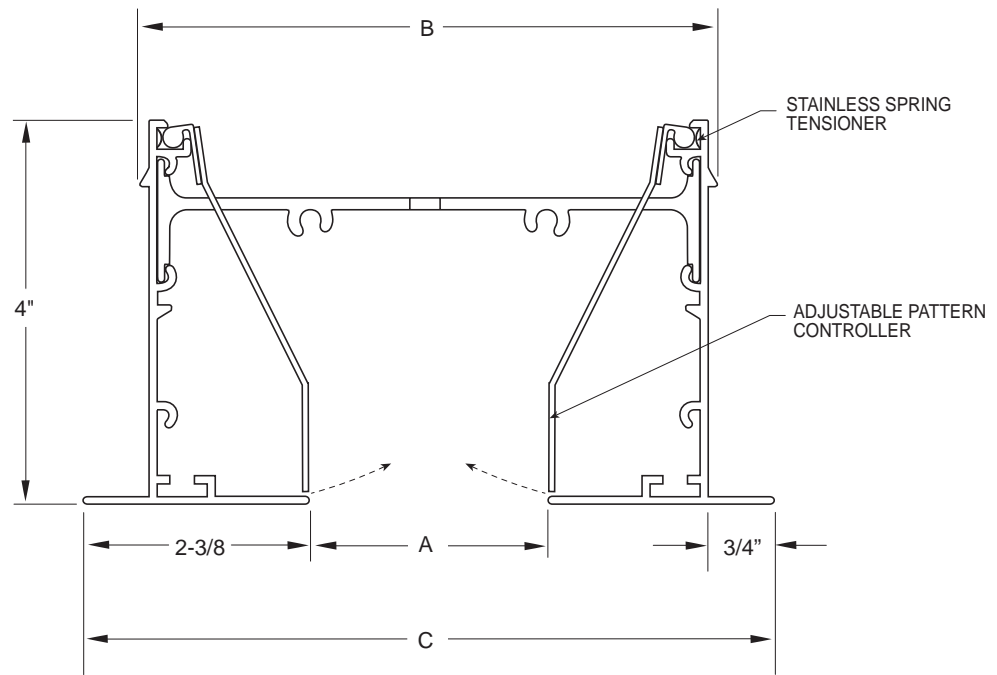


# DIMENSIONAL DATA 2-1/2 INCHES - LTSC FRAME DIRECT THROW

**FOR CONCEALED MOUNTING WITH HEMMED PLENUM**



MODEL	SLOT	A	B	C
201-250 LT-DT	1	2-1/2	6	7-1/4
202-250 LT-DT	2	2-1/2	11-3/4	13

(Dimensions in inches)

**Note:**

- 1) See plenum details for various applications.
- 2) Diffuser neck supplied 1/4" undersize in overall length.
- 3) Sidewall application will be the same dimensionally.
- 4) Greater number of slots are available.
- 5) End caps (FC) add 2" to nominal length.