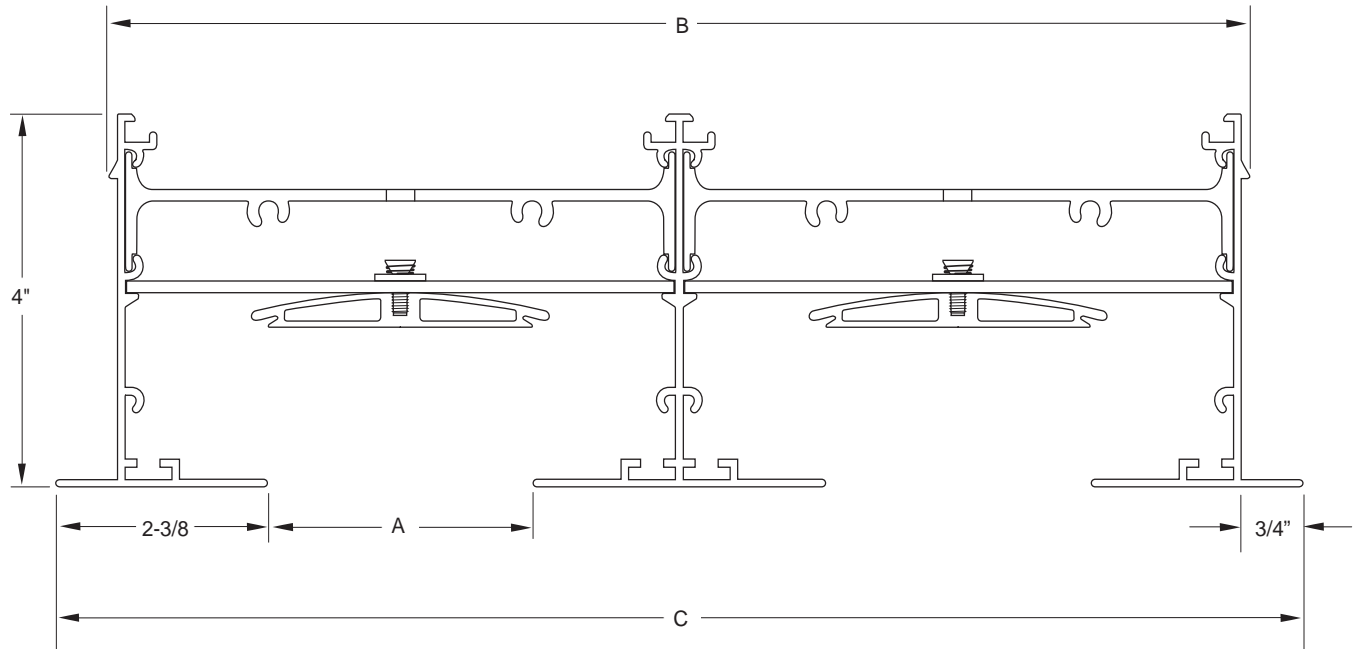


DIMENSIONAL DATA 3 INCHES - LTSC FRAME

FOR CONCEALED MOUNTING WITH HEMMED PLENUM



MODEL	SLOT	A	B	C
201-300 LTSC	1	3	6-1/2	7-3/4
202-300 LTSC	2	3	12-3/4	14
203-300 LTSC	3	3	19	20-1/4
204-300 LTSC	4	3	25-1/4	26-1/2
205-300 LTSC	5	3	31-1/2	32-3/4
206-300 LTSC	6	3	37-3/4	39
207-300 LTSC	7	3	44	45-1/4
208-300 LTSC	8	3	50-1/4	51-1/2

(Dimensions in inches)

Note:

- 1) See plenum details for various applications.
- 2) Diffuser neck supplied 1/4" undersize in overall length.
- 3) Sidewall application will be the same dimensionally.
- 4) Greater number of slots are available.
- 5) End caps (FC) add 2" to nominal length.