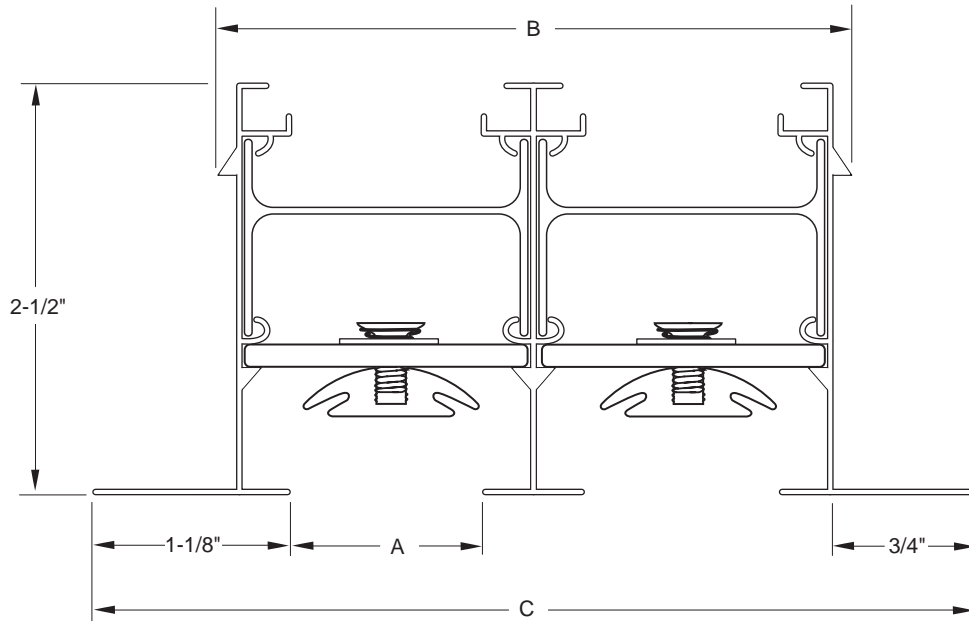


DIMENSIONAL DATA 3/4 INCHES - LTSC FRAME

FOR CONCEALED MOUNTING WITH HEMMED PLENUM



MODEL	SLOT	A	B	C
201-075 LTSC	1	3/4	1-11/16	3
202-075 LTSC	2	3/4	3-1/8	4-7/16
203-075 LTSC	3	3/4	4-9/16	5-7/8
204-075 LTSC	4	3/4	6	7-5/16
205-075 LTSC	5	3/4	7-7/16	8-3/4
206-075 LTSC	6	3/4	8-7/8	10-3/16
207-075 LTSC	7	3/4	10-5/16	11-5/8
208-075 LTSC	8	3/4	11-3/4	13-1/16

(Dimensions in inches)

Note:

- 1) See plenum details for various applications.
- 2) Diffuser neck supplied 1/4" undersize in overall length.
- 3) Sidewall application will be the same dimensionally.
- 4) Greater number of slots are available.
- 5) End caps (FC) add 2" to nominal length.