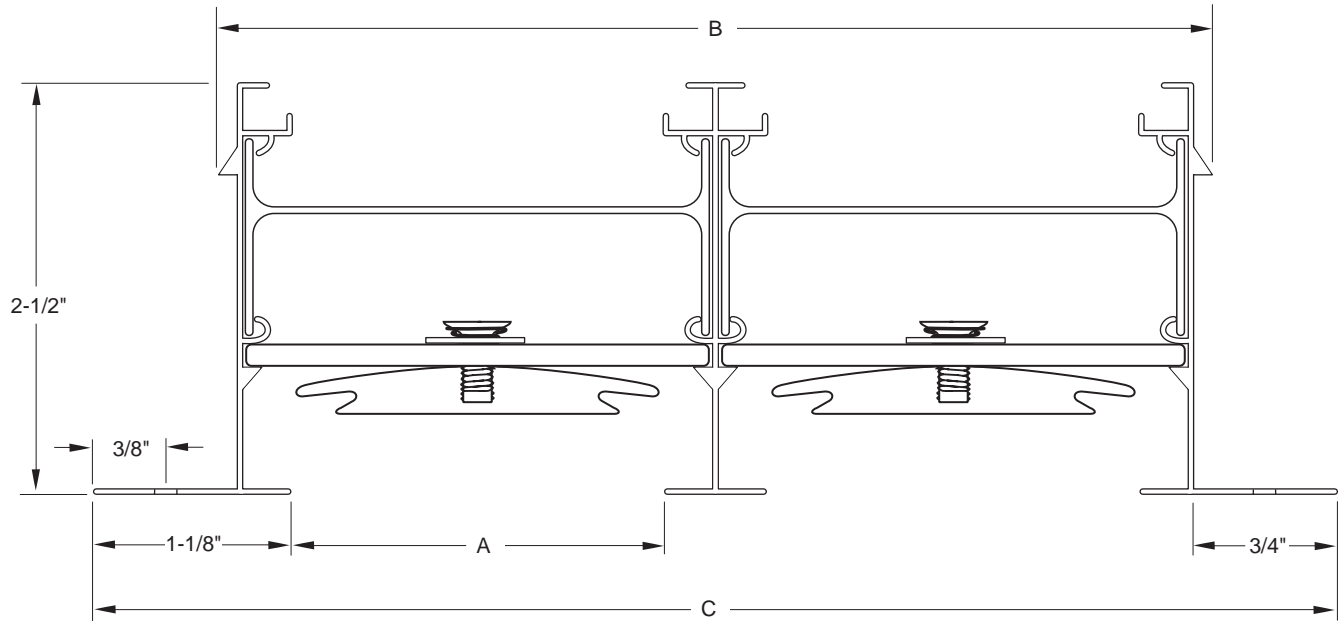


DIMENSIONAL DATA 2 INCHES - LTSS FRAME

WITH PRE-PUNCHED HOLES FOR SURFACE MOUNTING



MODEL	SLOT	A	B	C
201-200 LTSS	1	2	2-15/16	4-1/4
202-200 LTSS	2	2	5-5/8	6-15/16
203-200 LTSS	3	2	8-5/16	9-5/8
204-200 LTSS	4	2	11	12-5/16
205-200 LTSS	5	2	13-11/16	15
206-200 LTSS	6	2	16-3/8	17-11/16
207-200 LTSS	7	2	19-1/16	20-3/8
208-200 LTSS	8	2	21-3/4	23-1/16

(Dimensions in inches)

Note:

- 1) See plenum details for various applications.
- 2) Diffuser neck supplied 1/4" undersize in overall length.
- 3) Sidewall application will be the same dimensionally.
- 4) Greater number of slots are available.
- 5) End caps (FC) add 2" to nominal length.