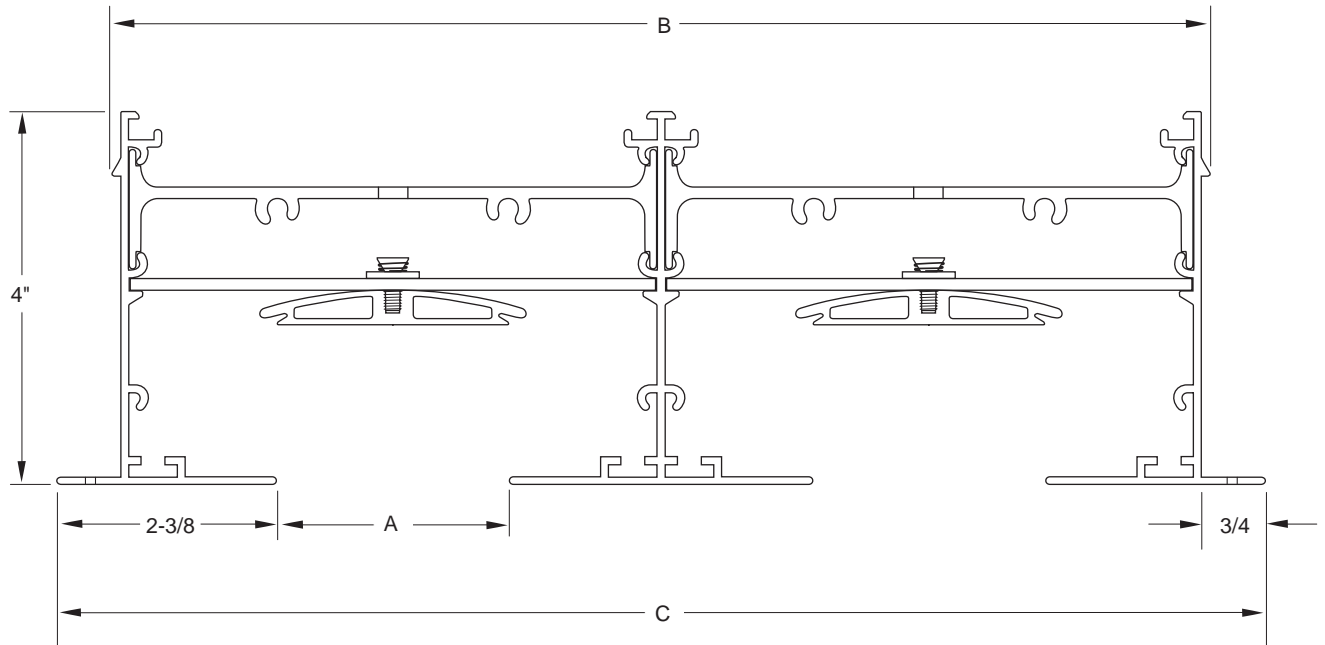


DIMENSIONAL DATA 2-1/2 INCHES - LTSS FRAME

WITH PRE-PUNCHED HOLES FOR SURFACE MOUNTING



MODEL	SLOT	A	B	C
201-250 LTSS	1	2-1/2	6	7-1/4
202-250 LTSS	2	2-1/2	11-3/4	13
203-250 LTSS	3	2-1/2	17-1/2	18-3/4
204-200 LTSS	4	2-1/2	23-1/4	24-1/2
205-250 LTSS	5	2-1/2	29	30-1/4
206-250 LTSS	6	2-1/2	34-3/4	36
207-250 LTSS	7	2-1/2	40-1/2	41-3/4
208-250 LTSS	8	2-1/2	46-1/4	47-1/2

(Dimensions in inches)

Note:

- 1) See plenum details for various applications.
- 2) Diffuser neck supplied 1/4" undersize in overall length.
- 3) Sidewall application will be the same dimensionally.
- 4) Greater number of slots are available.
- 5) End caps (FC) add 2" to nominal length.