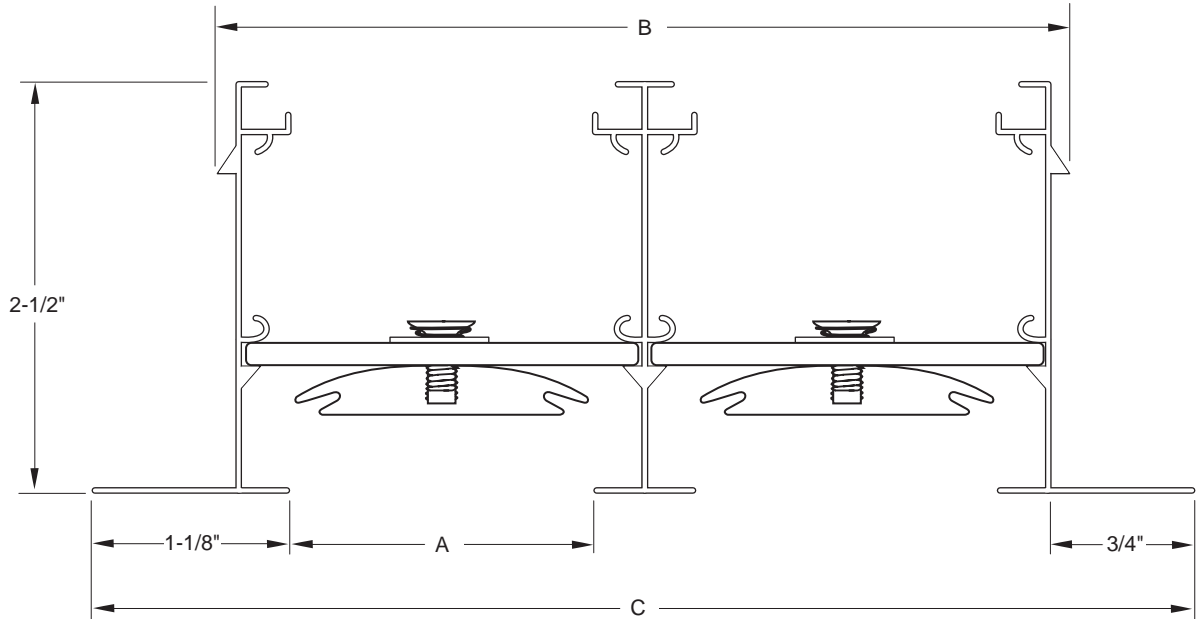


DIMENSIONAL DATA 1-1/2 INCHES - LTTB FRAME

FOR T-BAR CEILING INSTALLATIONS



MODEL	SLOT	A	B	C
201-150 LTTB	1	1-1/2	2-7/16	3-3/4
202-150 LTTB	2	1-1/2	4-5/8	5-15/16
203-150 LTTB	3	1-1/2	6-13/16	8-1/8
204-150 LTTB	4	1-1/2	9	10-5/16
205-150 LTTB	5	1-1/2	11-3/16	12-1/2
206-150 LTTB	6	1-1/2	13-3/8	14-11/16
207-150 LTTB	7	1-1/2	15-9/16	16-7/8
208-150 LTTB	8	1-1/2	17-3/4	19-1/16

(Dimensions in inches)

Note:

- 1) See plenum details for various applications.
- 2) Diffuser neck supplied 1/4" undersize in overall length.
- 3) Greater number of slots are available.
- 4) Normally supplied with butt style end caps.