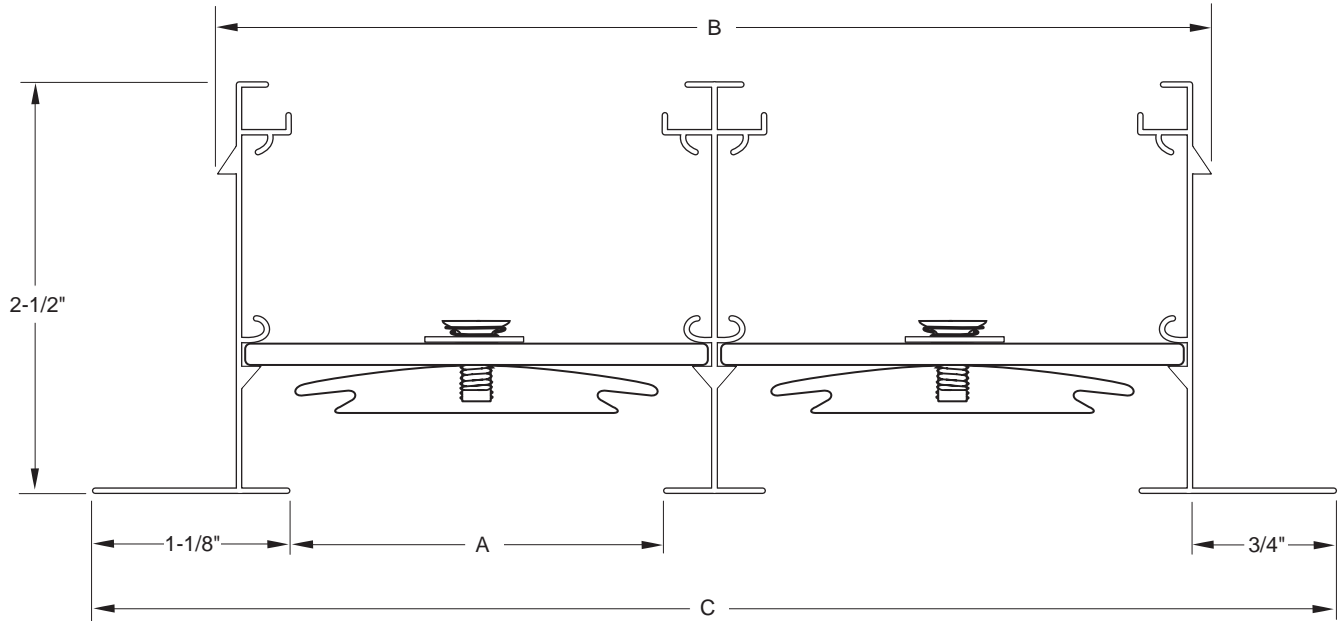


DIMENSIONAL DATA 2 INCHES - LTTB FRAME

FOR T-BAR CEILING INSTALLATIONS



MODEL	SLOT	A	B	C
201-200 LTTB	1	2	2-15/16	4-1/4
202-200 LTTB	2	2	5-5/8	6-15/16
203-200 LTTB	3	2	8-5/16	9-5/8
204-200 LTTB	4	2	11	12-5/16
205-200 LTTB	5	2	13-11/16	15
206-200 LTTB	6	2	16-3/8	17-11/16
207-200 LTTB	7	2	19-1/16	20-3/8
208-200 LTTB	8	2	21-3/4	23-1/16

(Dimensions in inches)

Note:

- 1) See plenum details for various applications.
- 2) Diffuser neck supplied 1/4" undersize in overall length.
- 3) Greater number of slots are available.
- 4) Normally supplied with butt style end caps.