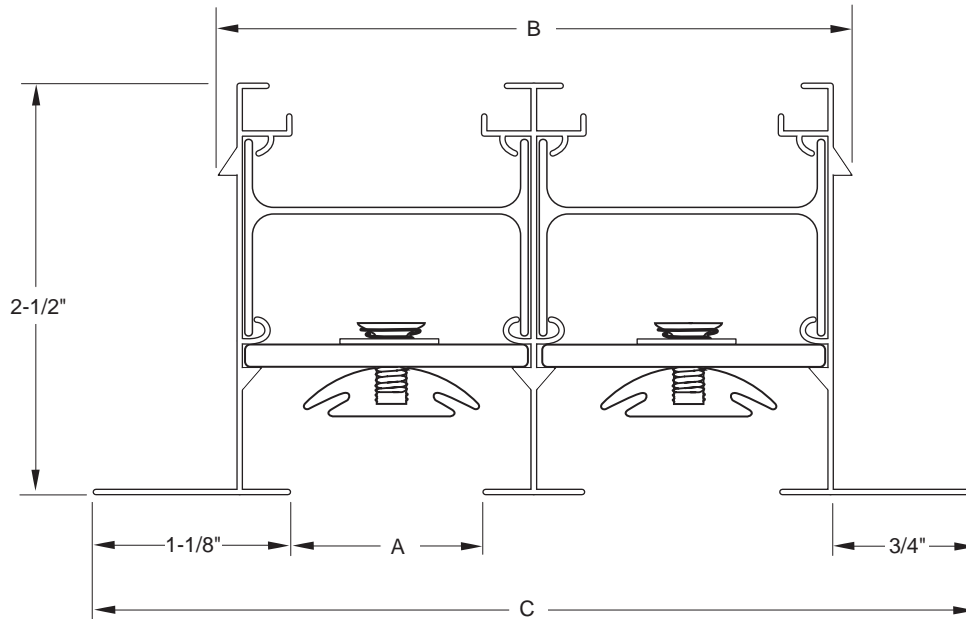


DIMENSIONAL DATA 3/4 INCHES - LTTB FRAME

FOR T-BAR CEILING INSTALLATIONS



MODEL	SLOT	A	B	C
201-075 LTTB	1	3/4	1-11/16	3
202-075 LTTB	2	3/4	3-1/8	4-7/16
203-075 LTTB	3	3/4	4-9/16	5-7/8
204-075 LTTB	4	3/4	6	7-5/16
205-075 LTTB	5	3/4	7-7/16	8-3/4
206-075 LTTB	6	3/4	8-7/8	10-3/16
207-075 LTTB	7	3/4	10-5/16	11-5/8
208-075 LTTB	8	3/4	11-3/4	13-1/16

(Dimensions in inches)

Note:

- 1) See plenum details for various applications.
- 2) Diffuser neck supplied 1/4" undersize in overall length.
- 3) Greater number of slots are available.
- 4) Normally supplied with butt style end caps.