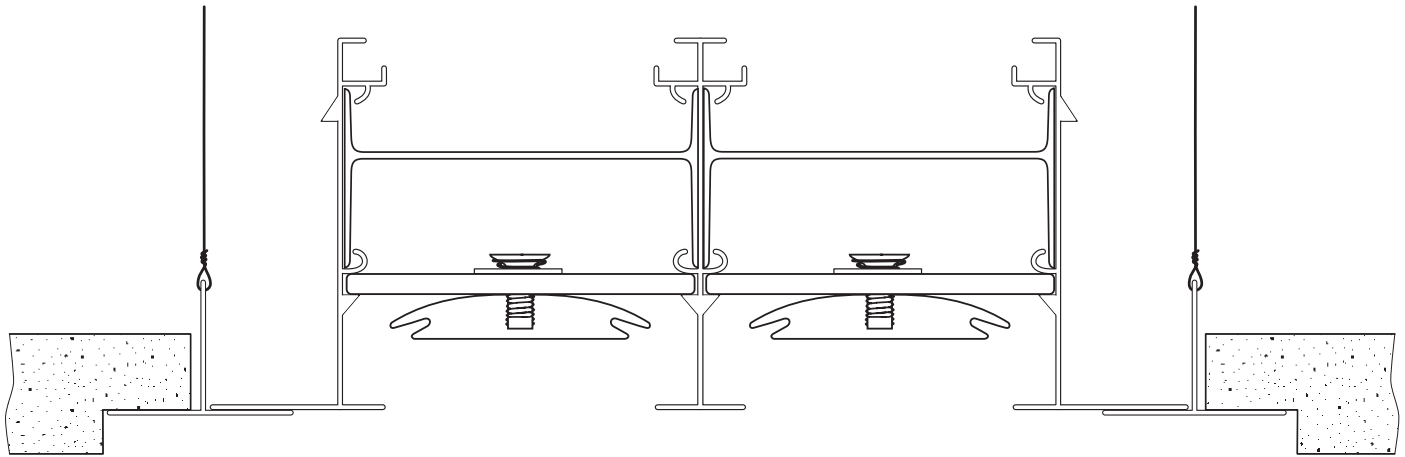


# LINEAR CEILING APPLICATION

## **“LTTB” FRAME TEGULAR CEILING**



**Note:**

- Slot widths available are 3/4", 1", 1-1/2", 2", 2-1/2" and 3".
- Multiple slots available.
- Curved and mitered sections available for this application.
- Linear available in maximum 12' lengths where shipping allows.
- Linear face to be painted white and deflector to be painted black standard.
- Linear furnished with concealed mounting brackets - optional.
- Linear constructed of .050 extruded aluminum.
- For appropriate plenum details see plenum form 3821A.
- Normally supplied with butt style end caps.
- Diffuser neck supplied 1/4" undersize in overall length.