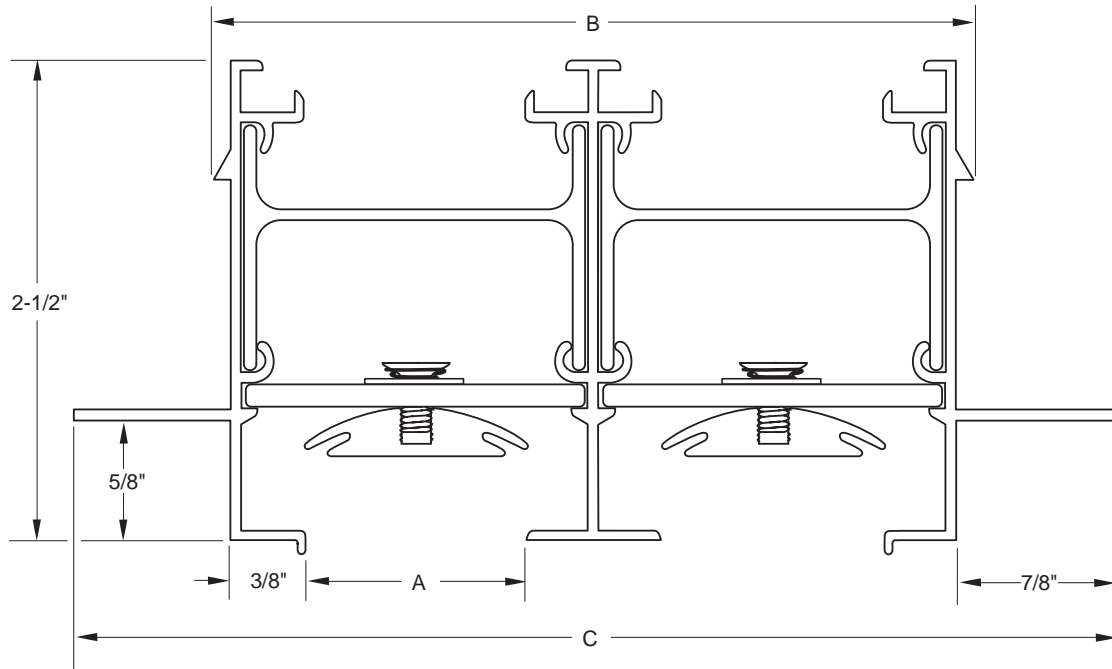


# DIMENSIONAL DATA 1 INCHES - MCS FRAME

FOR CONCEALED MOUNTING IN HARD SURFACES



MODEL	SLOT	A	B	C
201-100 MCS	1	1	1-15/16	3-1/2
202-100 MCS	2	1	3-5/8	5-3/16
203-100 MCS	3	1	5-5/16	6-7/8
204-100 MCS	4	1	7	8-9/16
205-100 MCS	5	1	8-11/16	10-1/4
206-100 MCS	6	1	10-3/8	11-15/16
207-100 MCS	7	1	12-1/16	13-5/8
208-100 MCS	8	1	13-3/4	15-5/16

(Dimensions in inches)

**Note:**

- 1) See plenum details for various applications.
- 2) Diffuser neck supplied 1/4" undersize in overall length.
- 3) Sidewall application will be the same dimensionally.
- 4) Greater number of slots are available.
- 5) Normally supplied with butt style end caps.