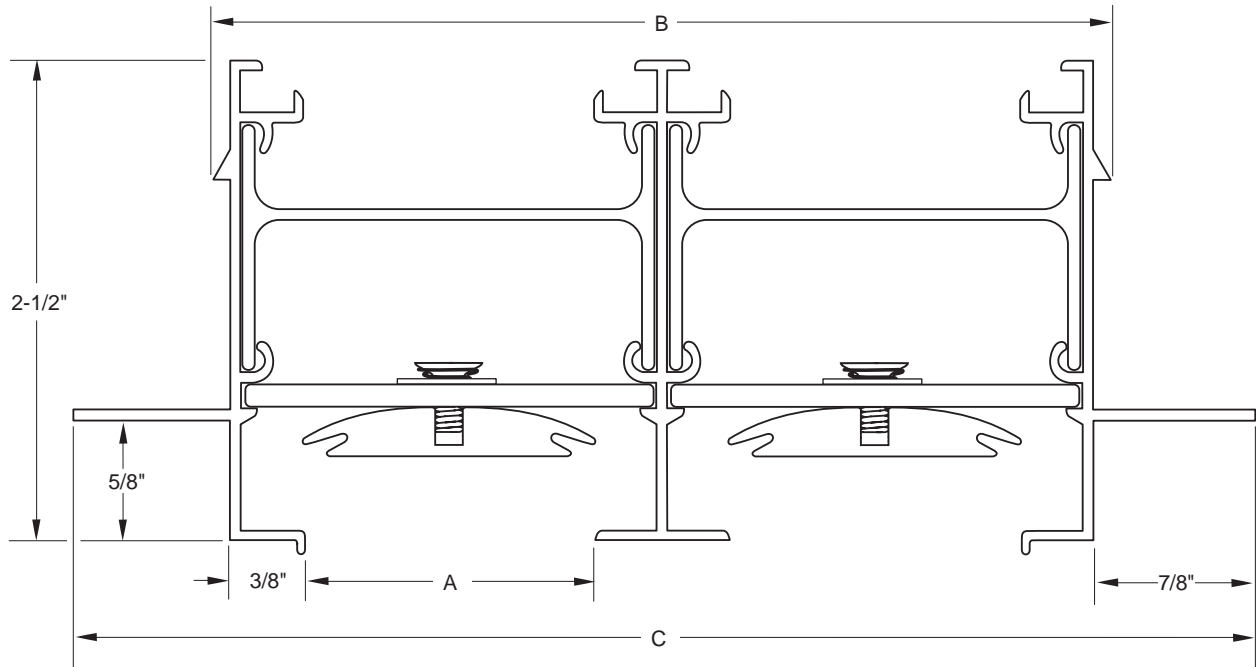


# DIMENSIONAL DATA 1-1/2 INCHES - MCS FRAME

FOR CONCEALED MOUNTING IN HARD SURFACES



MODEL	SLOT	A	B	C
201-150 MCS	1	1-1/2	2-7/16	4
202-150 MCS	2	1-1/2	4-5/8	6-3/16
203-150 MCS	3	1-1/2	6-13/16	8-3/8
204-150 MCS	4	1-1/2	9	10-9/16
205-150 MCS	5	1-1/2	11-3/16	12-3/4
206-150 MCS	6	1-1/2	13-3/8	14-15/16
207-150 MCS	7	1-1/2	15-9/16	17-1/8
208-150 MCS	8	1-1/2	17-3/4	19-5/16

(Dimensions in inches)

**Note:**

- 1) See plenum details for various applications.
- 2) Diffuser neck supplied 1/4" undersize in overall length.
- 3) Sidewall application will be the same dimensionally.
- 4) Greater number of slots are available.
- 5) Normally supplied with butt style end caps.