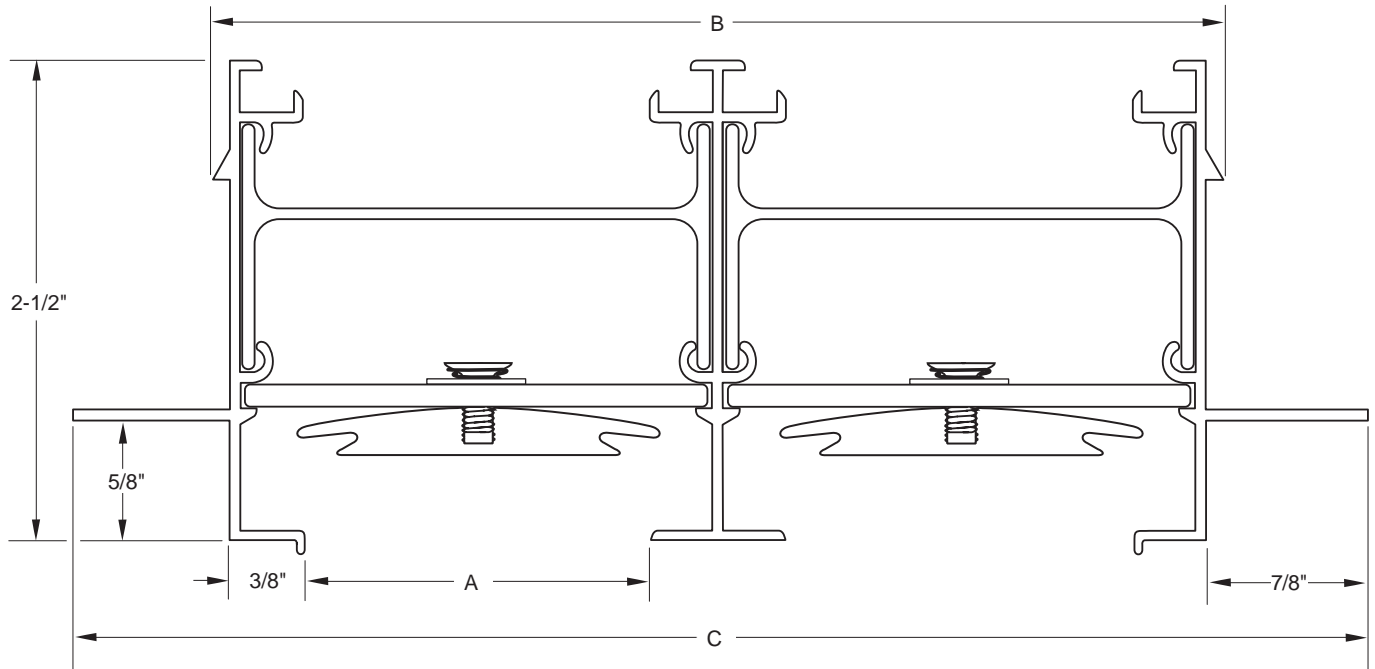


DIMENSIONAL DATA 2 INCHES - MCS FRAME

FOR CONCEALED MOUNTING IN HARD SURFACES



MODEL	SLOT	A	B	C
201-200 MCS	1	2	2-15/16	4-1/2
202-200 MCS	2	2	5-5/8	7-3/16
203-200 MCS	3	2	8-5/16	9-7/8
204-200 MCS	4	2	11	12-9/16
205-200 MCS	5	2	13-11/16	15-1/4
206-200 MCS	6	2	16-3/8	17-15/16
207-200 MCS	7	2	19-1/16	20-5/8
208-200 MCS	8	2	21-3/4	23-5/16

(Dimensions in inches)

Note:

- 1) See plenum details for various applications.
- 2) Diffuser neck supplied 1/4" undersize in overall length.
- 3) Sidewall application will be the same dimensionally.
- 4) Greater number of slots are available.
- 5) Normally supplied with butt style end caps.