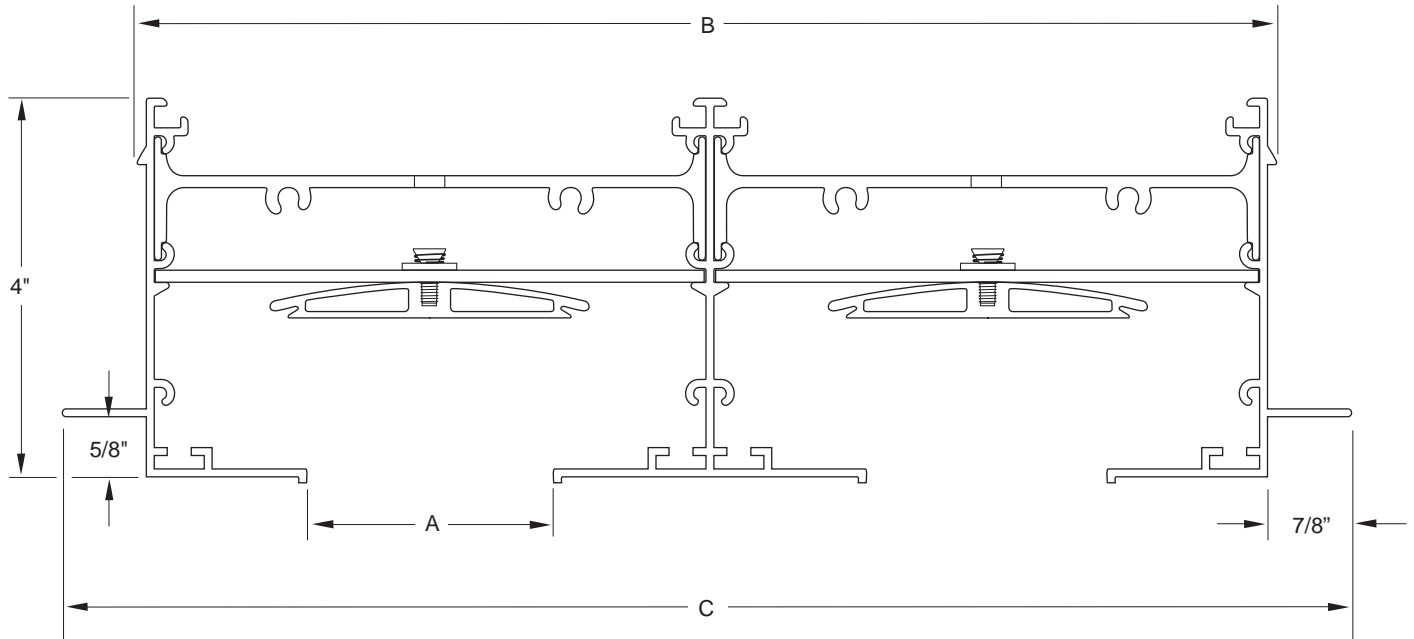


# DIMENSIONAL DATA 2-1/2 INCHES - MCS FRAME

FOR CONCEALED MOUNTING IN HARD SURFACES



MODEL	SLOT	A	B	C
201-250 MCS	1	2-1/2	6	7-1/2
202-250 MCS	2	2-1/2	11-3/4	13-1/4
203-250 MCS	3	2-1/2	17-1/2	19
204-250 MCS	4	2-1/2	23-1/4	24-3/4
205-250 MCS	5	2-1/2	29	30-1/2
206-250 MCS	6	2-1/2	34-3/4	36-1/4
207-250 MCS	7	2-1/2	40-1/2	42
208-250 MCS	8	2-1/2	46-1/4	47-3/4

(Dimensions in inches)

**Note:**

- 1) See plenum details for various applications.
- 2) Diffuser neck supplied 1/4" undersize in overall length.
- 3) Sidewall application will be the same dimensionally.
- 4) Greater number of slots are available.
- 5) Normally supplied with butt style end caps.