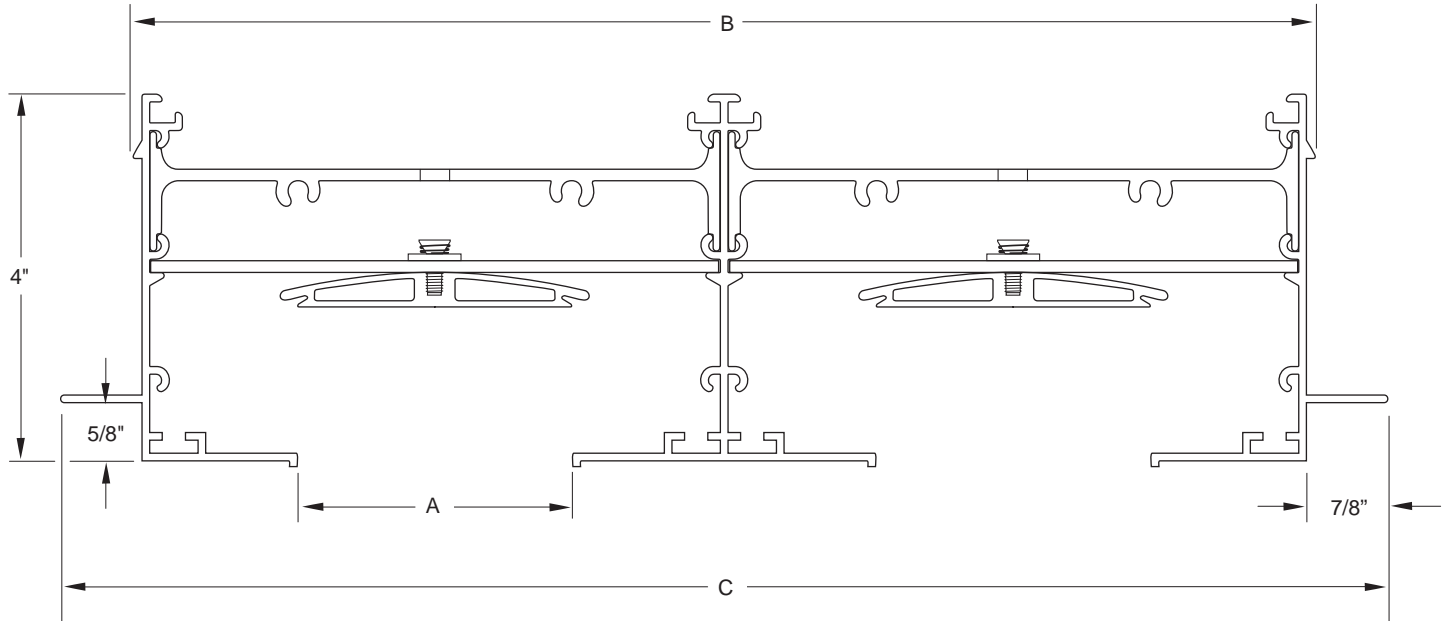


# DIMENSIONAL DATA 3 INCHES - MCS FRAME

FOR CONCEALED MOUNTING IN HARD SURFACES



MODEL	SLOT	A	B	C
<b>201-300 MCS</b>	1	3	6-1/2	8
<b>202-300 MCS</b>	2	3	12-3/4	14-1/4
<b>203-300 MCS</b>	3	3	19	20-1/2
<b>204-300 MCS</b>	4	3	25-1/4	26-3/4
<b>205-300 MCS</b>	5	3	31-1/2	33
<b>206-300 MCS</b>	6	3	37-3/4	39-1/4
<b>207-300 MCS</b>	7	3	44	45-1/2
<b>208-300 MCS</b>	8	3	50-1/4	51-3/4

(Dimensions in inches)

**Note:**

- 1) See plenum details for various applications.
- 2) Diffuser neck supplied 1/4" undersize in overall length.
- 3) Sidewall application will be the same dimensionally.
- 4) Greater number of slots are available.
- 5) Normally supplied with butt style end caps.