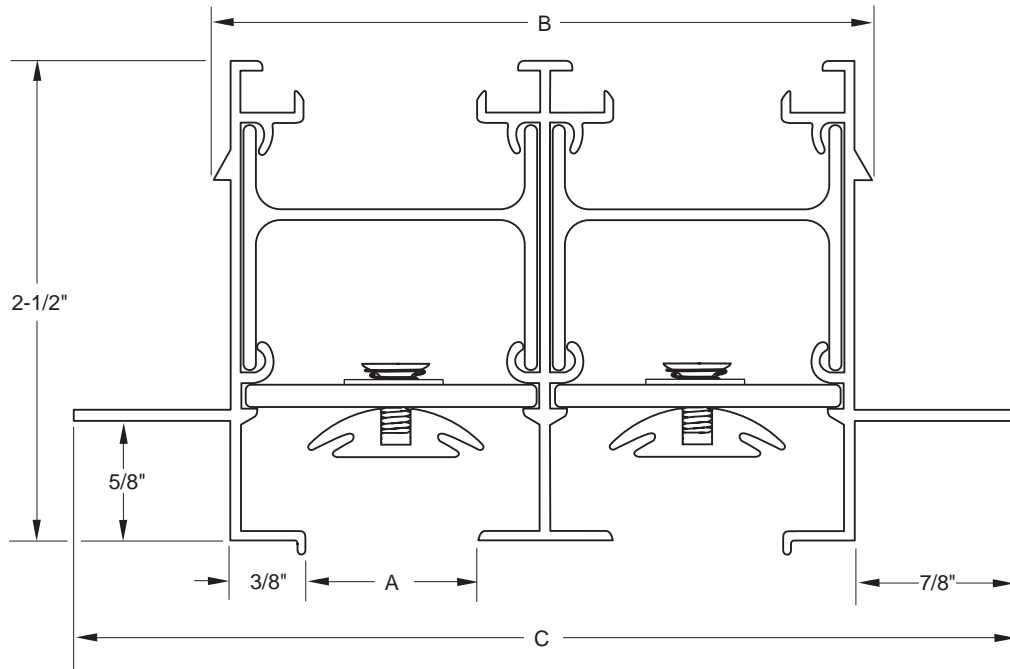


DIMENSIONAL DATA 3/4 INCHES - MCS FRAME

FOR CONCEALED MOUNTING IN HARD SURFACES



MODEL	SLOT	A	B	C
201-075 MCS	1	3/4	1-11/16	3-1/4
202-075 MCS	2	3/4	3-1/8	4-11/16
203-075 MCS	3	3/4	4-9/16	6-1/8
204-075 MCS	4	3/4	6	7-9/16
205-075 MCS	5	3/4	7-7/16	9
206-075 MCS	6	3/4	8-7/8	10-7/16
207-075 MCS	7	3/4	10-5/16	11-7/8
208-075 MCS	8	3/4	11-3/4	13-5/16

(Dimensions in inches)

Note:

- 1) See plenum details for various applications.
- 2) Diffuser neck supplied 1/4" undersize in overall length.
- 3) Sidewall application will be the same dimensionally.
- 4) Greater number of slots are available.
- 5) Normally supplied with butt style end caps.