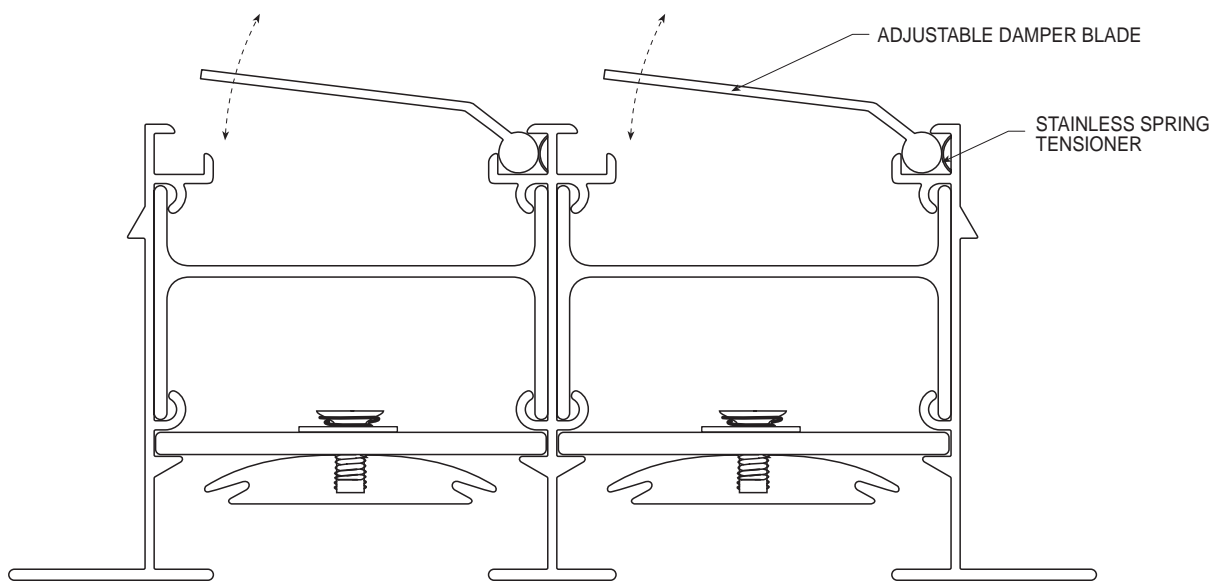


# VOLUME DAMPER DETAIL

*(Optional)*



**Note:**

- 1) Volume damper available on the LT, CS , and MCS frame.
- 2) Volume damper is installed with springs in the assembly to hold position under airflow.
- 3) Volume damper can be adjusted from the face of the linear by moving the deflector to the side and pulling it down.
- 4) Adjust the damper at the time of air balance and do not disturb.