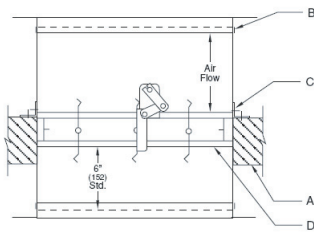
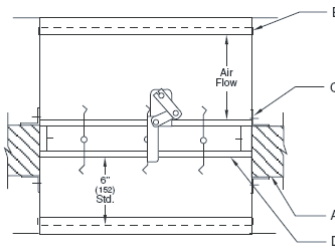


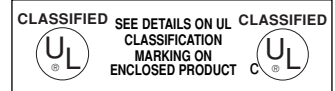
The following installation details apply to models **FSD-141, FSD-142, FSD-143, FSD-151, FSD-152, FSD-171 and FSD-172**



**Horizontal Mount  
(Single Side Mounting Angle)**



**Horizontal Mount  
(2-sided Mounting Angles)**



• Illustration depicts damper installed from the top down with the actuator above the floor line. Damper may also be installed from the bottom up with the actuator below the floor line. Illustrations show triple-V bladed (140/170 type), steel airfoil blade (150 type) similar.



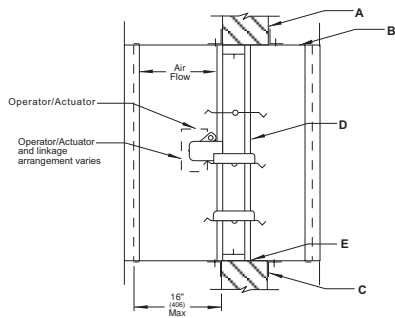
- A. Concrete or masonry fire partition shown. The opening shall be a minimum of ¼" (6) with a maximum of ¾" (19) larger than the overall damper and sleeve assembly size. When openings are larger than ¾" (19), but less than 6" (152) the mounting angles must be a minimum of 16 gauge (1.5) and must be tall enough to overlap the opening by a minimum of 1" (25). The damper must be installed with leading edge of closed blade within the partition.
- B. For rigid type duct connections, the sleeve shall be a minimum of 16 gauge (1.5) for dampers up to 36" wide by 24" high (914 x 610) and 14 gauge (1.9) for larger units. When lighter gauge sleeves are used, one or more of commonly used breakaway style connections are required. Refer to Sleeve Termination Supplemental Installation Instructions for further details. In no case will the sleeve gauge be less than the duct gauge to which it is connected. The damper sleeve shall not extend more than 16" (406) beyond the rated partition on the actuator side. The opposite side extension shall be a maximum of 6" (152) unless an access door is installed in the sleeve which then permits the extension to be a maximum of 16" (406).
- C. Mounting angles shall be a minimum 1-½" x 1-½" x 16 gauge (38 x 38 x 1.5). Mounting angles are only required on the top side of the opening and must be attached to the sleeve at 6" (152) o.c. maximum, to the partition at 24" (610) o.c. maximum. There must be a minimum of two fasteners per side to both the sleeve and partition on all four sides. Alternately, mounting angles may be installed on both sides of the partition and must be attached only to the sleeve at 12" (305) o.c. maximum, with a minimum of two connections per side on all four sides. Attachment to the sleeve shall be with a minimum of #10 (M5) screws or bolts, ⅜" (4.8) diameter steel rivets, Quick-Lock joints, or welds. Attachment to the partition shall be with a minimum of #10 (M5) steel fasteners: anchors, bolts, or self-tapping masonry screws. A minimum ¾" x 20 gauge (19x1) flange termination may be used in lieu of mounting angles. Ensure that the attachment device does not interfere with the operation of the damper and the free movement of the damper blades.

**Note:** If optional sealing between the mounting angle (or flange) leg and the surface of the partition, wall, or floor and/or between the mounting angle leg and the surface of the damper sleeve is required, any of the following sealants may be used: Dow-Corning 700 or 732 or GE RTV 108 or SCS 1201 RTV. These sealants must be applied such that they do not intrude into the annular space between the outside surface of the damper sleeve and the opening of the partition, wall or floor into which the damper/sleeve is installed. The annular space between damper sleeve and wall opening must not be filled with firestop materials such as fill, void, or cavity materials

- D. When joining multiple sections or fastening the damper to the sleeve, the damper shall be fastened with ⅜" (4.8) diameter steel rivets, Quick-Lock Joints, welds or #10 (M5) bolts or sheet metal screws at 8" (203) o.c. maximum. There must be a minimum of two connections per side, top and bottom. For FSD-151 and 152 installations more than one damper high and three dampers wide, a minimum 14 gauge x 5" (1.9 x 127) supplemental steel mullion is required. The mullion should be the same length as the opening/duct height and must be installed between the damper frames running parallel to the opening/duct height, at the center of the assembly. Support mullions should be attached to the damper frames using the same fasteners indicated previously in this section.
- E. A continuous bead of Dow-Corning 700 or 732, or GE RTV 108 or SCS 1201 RTV silicone rubber sealant shall be applied between the damper and the sleeve and between sections of a multiple damper assembly. Sealant is only required on one side of the damper.
- F. Fire/Leakage rated dampers and qualified operators are tested together by Underwriters Laboratories and are factory installed to qualify for standard damper/operator warranties. Damper operator/actuator must be tested prior to system start-up to ensure proper operation. Before applying power to the operator/actuator, the power must be verified.

DUCT SIZES	GALVANIZED STEEL			STAINLESS STEEL
	FSD-141, 142, 143	FSD-151, 152	FSD-171, 172	FSD-141, 142, 143
Maximum Single Section	36" x 48" (914 x 1219)	32" x 48" (813 x 1219)	24" x 24" (610 x 610)	36" x 48" (914 x 1219)
Maximum Multiple Section	108" x 48" (2743 x 1219)	144" x 96" (3658 x 2438)	N/A	72" x 48" or 36" x 96" (1829 x 1219 or 914 x 2438)

The following installation details apply to models **FSD-141, FSD-142, FSD-143, FSD-151, FSD-152, FSD-171** and **FSD-172**



**Vertical Mount**

All dimensions shown in ( ) are in millimeters. Illustration depicts damper installed vertical right side up. Damper may also be installed upside down.

Illustrations show triple-V bladed (140/170 type), steel airfoil blade (150 type) similar.



- A.** Concrete or masonry fire partition shown. See Wood Stud and/or Steel Stud Framing for Fire Dampers In Drywall and/or Cavity Shaftwall Partitions Supplemental Installation Instructions for further vertical mount installation details. The opening shall be a minimum of ¼" (6) with a maximum of ¾" (19) larger than the overall damper and sleeve assembly size. When openings are larger than ¾" (19), but less than 6" (152) the mounting angles must be a minimum of 16 gauge (1.5) and must be tall enough to overlap the opening by a minimum of 1" (25). Damper must be installed with leading edge of closed blade within the partition.
  - B.** For rigid type duct connections, the sleeve shall be a minimum of 16 gauge (1.5) for dampers up to 36" wide by 24" high (914 x 610) and 14 gauge (1.9) for larger units. When lighter gauge sleeves are used, one or more of commonly used breakaway style connections are required. Refer to Sleeve Termination Supplemental Installation Instructions for further details. In no case will the sleeve gauge be less than the duct gauge to which it is connected. Damper sleeve shall not extend more than 16" (406) beyond the rated partition on the actuator side. The opposite side extension shall be a maximum of 6" (152) unless an access door is installed in the sleeve which then permits the extension to be a maximum of 16" (406).
  - C.** Mounting angles shall be a minimum of ¾" x 1-½" tall x 20 gauge (19 x 38 x 1.0). For opening sizes ≤80" wide (2032), 96" tall (2438) and not exceeding 26.67 square feet (2.48 square meters) mounting angles are required on only one side of the partition and must be attached to the sleeve and the partition. For larger openings (or optional on smaller openings) 1-½" x 1-½" x 16 gauge (38 x 38 x 1.5) mounting angles are required on both sides of the partition and must be attached to the sleeve only. Attachment to the sleeve shall be with a minimum of #10 (M5) screws or bolts, ⅜" (4.8) diameter steel rivets, Quick-Lock joints, or welds at 12" (305) o.c. maximum. Attachment to the partition/opening shall be with minimum #10 (M5) fasteners with a minimum length as follows: For metal studs and the angles under the drywall, the fasteners must be a minimum of ½" (12.7) long. For metal studs and the angles over the drywall the fastener must be a minimum of ½" (12.7) longer than the thickness of the drywall, i.e. if the partition has one layer of ⅝" (15.9) drywall on the attachment side, the screws must be ½" + ⅝" = 1⅛" (12.7 + 15.9 = 28.6) long. For wood stud openings, the minimum length is 1-½" (38) longer than the thickness of the drywall on the attachment side. For concrete or masonry openings, the anchors must be a minimum of #10 (M5) fasteners: screws, bolts or self-tapping masonry screws. Fasteners in the partition should be spaced at 12" (305) o.c. maximum. There must be a minimum of two connections per side on all four sides. A minimum of ¾" x 20 gauge (19 x 1) flange termination may be used in lieu of mounting angles. Refer to Sleeve Termination Supplemental Installation Instructions and Framing for Fire Dampers for further details. Ensure that the attachment device does not interfere with the operation of the damper and the free movement of the damper blades.
- Note:** If optional sealing between the mounting angle (or flange) leg and the surface of the partition, wall, or floor and/or between the mounting angle leg and the surface of the damper sleeve is required, any of the following sealants may be used: Dow-Corning 700 or 732 or GE RTV 108 or SCS 1201 RTV. These sealants must be applied such that they do not intrude into the annular space between the outside surface of the damper sleeve and the opening of the partition, wall or floor into which the damper/sleeve is installed. The annular space between damper sleeve and wall opening must not be filled with firestop materials such as fill, void, or cavity materials
- D.** When joining multiple sections or fastening the damper to the sleeve, the damper shall be fastened with ⅜" (4.8) diameter steel rivets, Quick-Lock Joints, welds or #10 (M5) bolts or sheet metal screws at 8" (203) o.c. maximum. There must be a minimum of two connections per side, top and bottom. For vertical installations >108" wide x 96" high (2743 x 2438), a minimum 14 gauge x 5" wide (1.9 x 127) supplemental steel mullion is required. The mullion must be the same length as the opening/duct height. The mullion must be installed between the damper frames running parallel to the opening/duct height located at the center of the assembly. Supplemental support mullions should be attached to the damper frames using any of the same fasteners indicated previously in this section.
  - E.** A continuous bead of Dow-Corning 700 or 732, or GE RTV 108 or SCS 1201 RTV silicone rubber sealant shall be applied between the damper and the sleeve and between sections of a multiple damper assembly. Sealant is only required on one side of the damper.
  - F.** Fire/Leakage rated dampers and qualified operators are tested together by Underwriters Laboratories and are factory installed to qualify for standard damper/operator warranties. Damper operator/actuator must be tested prior to system start-up to ensure proper operation. Before applying power to the operator/actuator, the power must be verified.

DUCT SIZES	GALVANIZED STEEL			STAINLESS
	FSD-141, 142, 143	FSD-151, 152	FSD-171, 172	FSD-141, 142, 143
Maximum Single Section	36" x 48" (914 x 1219)	32" x 48" (813 x 1219)	24" x 24" (610 x 610)	36" x 48" (914 x 1219)
Maximum Multiple Section	144" x 96" (3658 x 2438)	144" x 96" (3658 x 2438)	N/A	72" x 48" or 36" x 96" (1829 x 1219 or 914 x 2438)

The above information for dampers installed in a vertical fire separation pertains to those where the damper blades are horizontal. However, as an exception, if the dampers are Model FSD-141 and are 6" (152) wide by 6" (152) high, they may be installed with the blades in a vertical orientation. All other installation details are as outlined above except that the mounting angle on the top of the damper sleeve needs only to be a minimum of ¾" (19) tall.

Information is subject to change without notice or obligation.

**NOTE:** Dimensions in parentheses ( ) are millimeters.